

1200

1200 HIGH PERFORMANCE P.C.

Top performance 1.0/1.2kw P.C. using our custom designed lens. The adjustable cone of light has a crisp well defined beam edge similar to that of a profile beam with 114 Hamburg Frost. The beams are easily blended together to provide even illumination. Constructed of pressure die-castings and aluminium extrusion, the PC1200 fresnel offers superior light output, strength and performance.

“The world leader in beam quality”; Francis Reid, British lighting designer

FEATURES

- Top performing P.C. on the market, 20 to 70% extra light output.
- Wide range of beam angle from 4.5° to 62° .
- Optically ground, custom designed lens which exploits the unique characteristics of this lens type.
- Adjustable yoke balance point.
- ‘Swing-down’ door for easy access to lamp or cleaning.
- Smooth focus movement with ‘Posi-slide’ focus system, no metal to metal contact.
- Fully tested and compliant to CE standards.

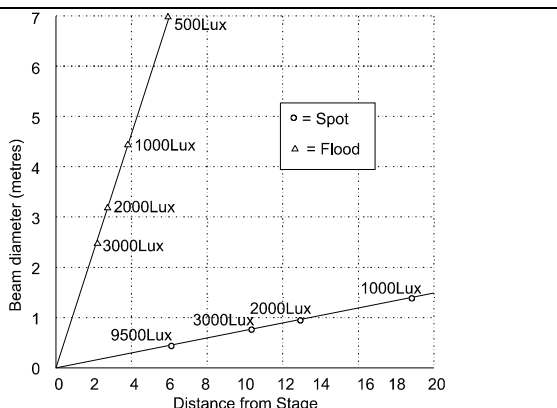
PHOTOMETRIC DATA

Tests conducted using a standard T29, 1200w, 240v, 27,600 lumens lamp.

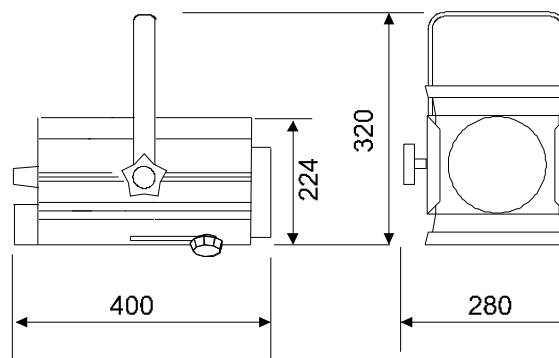
Beam angles:

Spot 4.5°: 342,000 cd Flood 62° 14,220cd

Field: 9° 65°



PHYSICAL DATA



Weight: 6.1 Kg

Packed Weight: 7.2Kg

Carton Size: 286 x 265 x 458

Carton Size Cubic: 0.035

Colour Frame Size: 185mm x 185mm (DIN std)

Included: 1 x colour frame, 1 x M12 nut & bolt set, instruction sheet

ORDER CODES & ACCESSORIES

PC1200	10SPC1200
Barndoor	20BDSF10
Lens Safety Mesh	20SM6
Suspension Hookclamp	20HC
Safety Bond	20SC

Your Selecon Distributor
