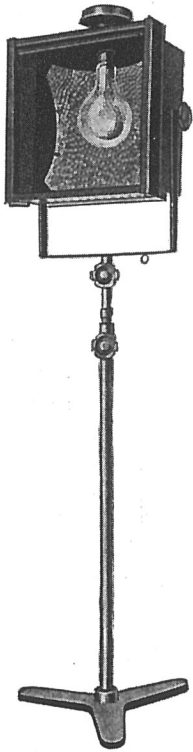


STRAND STAGE FLOODS

PATTERN 49 WING FLOOD, 1000 Watt

This lantern gives a *medium angle* beam of light, suitable for illuminating objects situated some distance from it.



SPECIFICATION

Lantern constructed in lead-coated steel, efficiently ventilated. Fitted with runners to take two metal colour frames, hinged sprung flap each side. One-piece Type 49 silvered glass "SUNRAY" reflector. Tilting fork and 3in. diameter locking wheels. 10 amp. plug with earth connection and clip. Finish: black enamel outside, matt black inside.

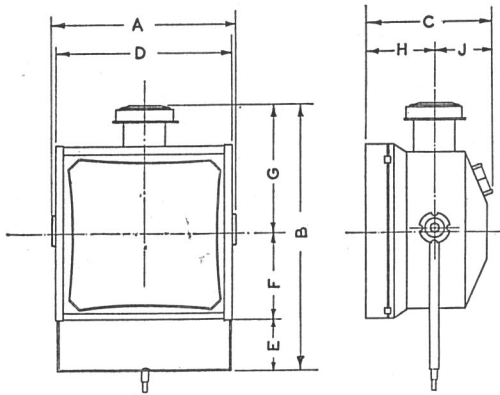
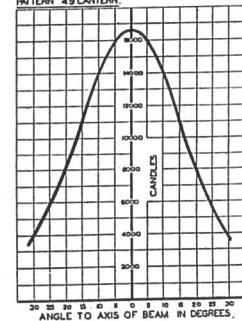
PRICE (exclusive of Lamp) ... ⁵⁻⁷⁻⁶ £4-12-6

		£	s.	d.
B 66	Heavy Telescopic Stand	1-7-6	each	1-10-6
	(Min. height 4 ft. 3 in. Max. 7 ft. 0 in.)			
B 67	Metal colour frames (16 $\frac{3}{4}$ in. x 16 $\frac{3}{4}$ in.)	1-7-6	per doz.	1-10-6
B 68	Ditto, with assorted gelines	2-2-0	"	2-6-6
B 69	Ditto, with "Chromoid" colours (see page 98)	3-18-6	"	3-3-6
B 64	Safety chain with snap hook (for use when lantern is suspended)	0-2-0	each	2-3
B 65	"L" clamp for 1 $\frac{1}{2}$ in. barrel	0-2-6	"	2-4

Lamp: 1000 watt Angle Burning General Service. G.E.S. Cap. *10/0*

Beam Angle 64°. Cut Off Angle 105°.

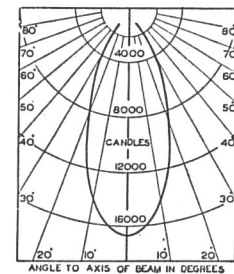
"SUNRAY" 14x14 REFLECTOR WITH 1000 W ANGLE BURNING GENERAL PURPOSE LAMP PATTERN 49 LANTERN.



DIMENSIONS PATTERN 49

	Ft.	In.
A ...	1	6
B ...	2	2 $\frac{1}{2}$
C ...	11	1 $\frac{1}{2}$
D ...	1	5
E ...	5	
F ...	8	1 $\frac{1}{2}$
G ...	1	1
H ...	7	
J ...	4	1 $\frac{1}{2}$

Nett weight of Lantern, 24 lbs.



Telephone : Temple Bar 7464 (6 lines).

STRAND ELECTRIC AND ENGINEERING CO., LTD.
FLORAL STREET, COVENT GARDEN, W.C.2

Telegraphic Address : Spoolite, Rand, London.