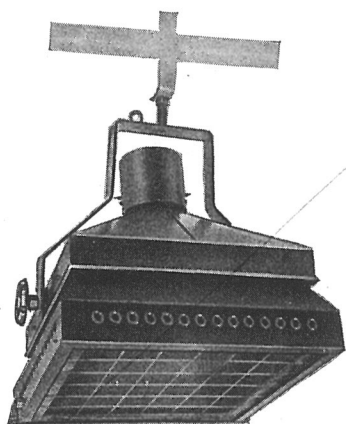


# STRAND STAGE FLOODS

## PATTERN 59 VERTICAL FLOOD 1000 Watt



This lantern gives a *medium angle* vertical beam, suitable for general lighting of stage from No. 1 Batten, concert hall flooding, etc.

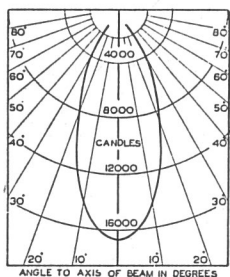
### SPECIFICATION

Lantern constructed in lead-coated steel, efficiently ventilated. Fitted with runners to take two metal colour frames, hinged spring flap at each side. One-piece Type 49 silvered glass "SUNRAY" reflector. Tilting fork and 3 in. diameter locking wheels. 10 amp. plug with earth connection and clip. Finish : black enamel outside, matt black inside.

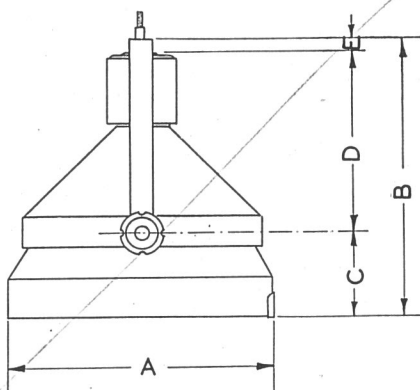
PRICE (exclusive of Lamp) ... £4 15 0

							£	s.	d.
B 67	Extra metal colour frames (16 $\frac{3}{4}$ in. x 16 in.)	...	...	...	...	...	1	7	6 per doz.
B 68	Ditto, with assorted gelatines	...	...	...	...	...	2	2	0 "
B 69	Ditto, with assorted "Chromoid" colours (see page 98)	...	...	...	...	...	3	18	6 "
B 64	Safety chain with snap hook	...	...	...	...	...	0	2	0 each
B 65	"L" clamp for 1 $\frac{1}{2}$ in. barrel	...	...	...	...	...	0	2	6 "

Lamp : 1000 watt Angle Burning General Service. G.E.S. Cap. 16/-  
 Beam Angle 72°. Cut Off Angle 105°



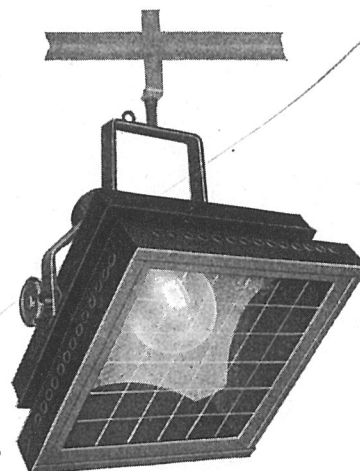
Pattern 49 Reflector with 1000 watt lamp.



DIMENSIONS. PATTERN 59

	Ft.	In.		Ft.	In.
A ...	1	3	D ...	11	$\frac{1}{2}$
B ...	1	6	E ...		1
C ...		$5\frac{1}{2}$			

Net weight of Lantern, 24 lbs.



Telephone :  
 Temple Bar 7464 (6 lines).

**STRAND ELECTRIC  
 AND ENGINEERING CO., LTD.**

**FLORAL STREET, COVENT GARDEN, W.C.2**

Telegraphic Address :  
 Spotlite, Rand, London.