

STRAND STAGE FLOODS

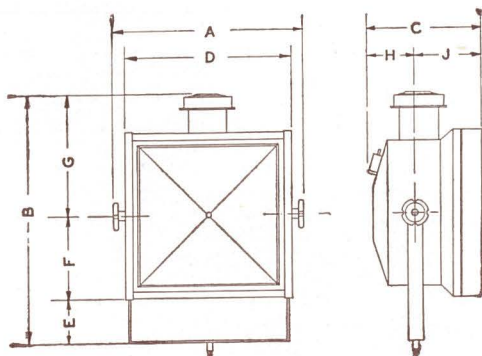
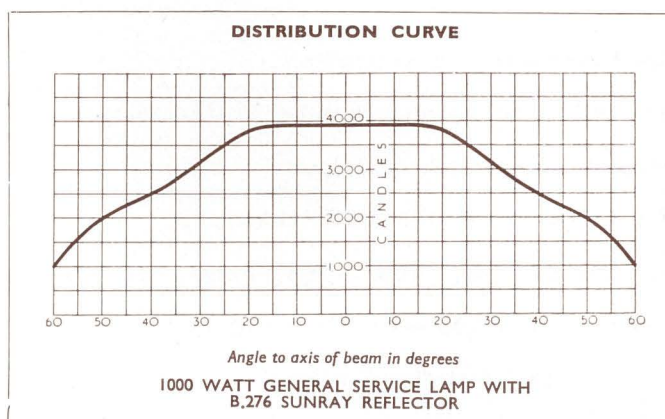
PATTERN 49A WING FLOOD 1,000 WATT



This lantern gives a wide angle beam of light, free from "hot spot." Suitable for illuminating back-cloths, large cycloramas, etc., at close range, and for use in the wings.

SPECIFICATION

Lantern constructed in sheet steel, efficiently ventilated. Fitted with runners to take two metal colour frames, hinged sprung light-tight flaps each side. Four-piece Type B.276 silvered glass "SUNRAY" reflector. The tilting fork has a $\frac{1}{2}$ -inch Whitworth stem (for suspension by barrel clamp or insertion in stand) and eyelet for safety chain (not included). The lantern is locked in position by two hand wheels, and is wired with 3 ft. H.R. flexible tails. Finish: black crystalline enamel outside, matt black inside. Complete with one metal colour frame.



Lamp.—1,000-watt General Service type with G.E.S. Cap.

Weight.—Nett weight of Lantern 27 lbs.

Beam Angle 100°.

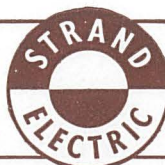
Cut Off Angle 105°

DIMENSIONS

	Ft.	In.		Ft.	In.		Ft.	In.			
A	...	1	6	D	...	1	5	G	...	1	1
B	...	2	2½	E	...	5	H	...	6		
C	...	1	1	F	...	8½	J	...	7		

(continued overleaf)

HEAD OFFICE AND SHOWROOMS
29, KING STREET, LONDON, W.C.2
SALES AND GOODS - 24, FLORAL ST., W.C.2
TEMPLE BAR 4444 GRAMS: SPOTLITE RAND LONDON



BRANCHES
313, OLDHAM ROAD, MANCHESTER 10
COLLYHURST 2736
62, DAWSON ST., DUBLIN - DUB 74030