

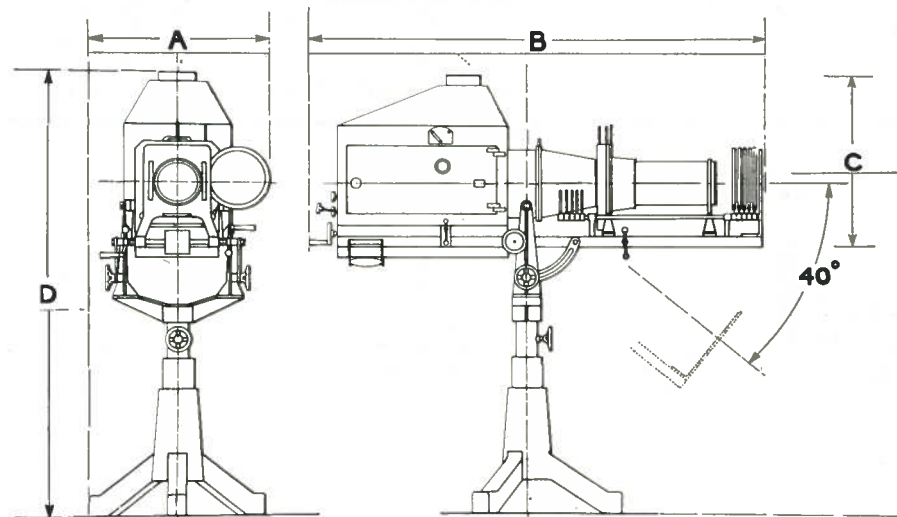
Catalogue Ref.	Leaflet	Description	Watts	Lamp		Beam	Colour Frame	Dimensions				Weight lbs.	Price					
				Class	Cap			Width A Ins.	Depth B Ins.	Height C (Ins.)	D (Ins.)		£	s d				
MIRROR SPOTS (contd.)																		
Patt. 53†	C.53	Mirror Spot (built in shutters)	1000	T or B.1	P.40	3/19°	284	13½	21½	17½	20½	37	26	5	0			
Patt. 53W†	C.53	Mirror Spot As above but wide angle	1000			3/38°										2	4	0
105 ..	C.53	Iris diaphragm for Patt. 53. and 53W	—			—												
375 ..	C.53	Diffusing glass in frame for Patt. 53 53W	—	—	—	—	—	—	—	—	—	—	—	—	—			
Patt. 93	C.57	Long-range Mirror Spotlight (built in iris and removable adjustable masking plate)	1000	A.1	P.40	6/15°	370	13¾	28	14½	18¾	45¼	54	10	0			
373 ..	C.57	Glass diffuser in frame (Patt. 93)	—	—	—	—	—	9⅞	—	9⅞	—	1¾	—	—	—			
372 ..	C.57	Spare masking plate (Patt. 93 and 93N)	—	—	—	—	—	7	—	7	—	1½	2	10	0			
Patt. 93N	C.57	Extra long-range Mirror Spotlight	1000	A.1	P.40	3/8°	61	13¾	36	14½	18¾	48	65	10	0			
94	C.57	Glass diffuser in frame (Patt. 93N)	—	—	—	—	—	11¾	—	11¾	—	3	—	—	9	0		

▲ PATT. 53 & 93 SPOTLIGHT CONVERSIONS

	£	s.	d.
Patt 53 to 53W. Discard lens tube and use: Ref. 354 lens tube	8	1	0
Patt. 53W to 53. Discard lens tube and use: Ref. 353 lens tube	4	6	0
Patt. 93 to 93N. Discard lens tube and use: Ref. 480 lens tube and colour frame	20	10	0
Patt. 93N to 93. Discard lens tube and use: Ref. 481 lens tube and colour frame	9	11	0

ARC SPOTLIGHTS

The Pattern 501 Mirror Arc is designed for use on A.C. with a special inductor unit, consequently its efficiency is considerably increased. This lantern, whilst using less than 20 amps. A.C. from the supply mains, will produce as much light as an ordinary DC arc using over 90 amps. The Sunspot can be readily adapted for use on D.C. and due to the efficient optical system, this lantern, at its maximum of 60 amps. D.C. will give as much light as an ordinary 90 amp. D.C. arc. A special heavy cast stand forms part of this lantern assembly. Prices do not include the supply of carbons.



Sunspot Mirror Arc Spotlight Patt. 501

Catalogue Ref.	Leaflet	Description	Carbons	Beam	Colour Frame	Dimensions				Weight lbs.	Price		
						Width A Ins.	Depth B Ins.	Height C (Ins.)	D (Ins.)		£	s d	
Patt. 501	D.31	Sunspot Mirror Arc Spotlight with stand	A.C. 100 amp. 9mm x 12 in. (a) HI Alternalux	15.5° max.	495 mag. 85 single	26	66½	72 max. 65 min.	316	355	0	0	
Patt. 501M	D.31	As above but with automatic motor arc feed and stand (Specify A.C. or D.C.)	D.C. 60 amp. 10mm x 12 HI ⅞ Pos. (b) 7mm x 12 HI ⅞ Neg. (c)	—									
408 ..	D.31	Spare dowser plate for above	—	—									—
289 ..	D.31	100 amp. Inductor 200-250 volt 50 ~ A.C.(input under 20 amp.)	—	—	—	20	19	—	24	224	126	0	0
406 ..	D.31	Carbon economisers for A.C. Sunspot	—	—	—	—	—	—	—	—	pr.	18	0
407 ..	D.31	Carbon economisers for D.C. Sunspot	—	—	—	—	—	—	—	—	pr.	18	0

CARBONS Per standard pack of 250 pieces (a) £8 8 0 (b) £7 13 0 (c) £4 17 0