



## FRESNEL

General purpose Fresnel for theatre, small studio and display lighting. The adjustable cone of light has a soft edge, easily blended with adjacent beams to provide even illumination. Fully featured luminaire constructed of pressure die-castings and aluminium extrusion. The Acclaim fresnel offers efficiency, strength and performance using a 110mm diameter lens.

### FEATURES

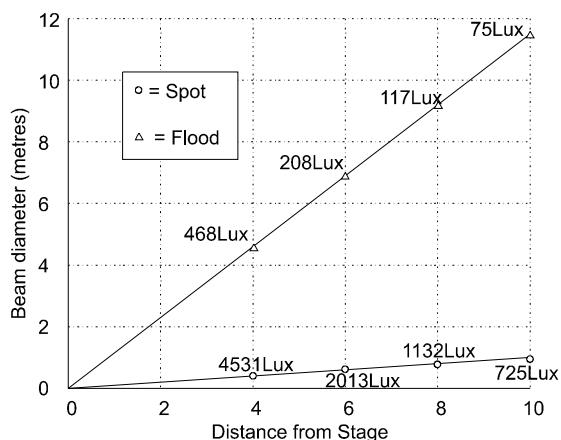
- Up to 40% more light output than comparative fresnel luminaires.
- Wide range of beam angle from 6 to 60 degrees.
- Adjustable yoke balance point.
- 'Swing-down' door for easy access to lamp or cleaning. Isolates the mains supply when opened.
- Captive lamp/ reflector focus system moves on brass bearing provides smooth focus movement.
- Rear grab handle, doubles as handy cable storage.
- Fully tested and compliant to CE standards.

### PHOTOMETRIC DATA

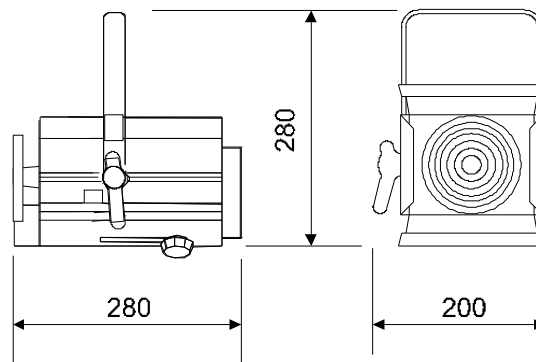
Tests conducted using a standard T27, 650w, 240v, 15,000 lumens lamp - average lamp life: 600 hours.

Beam angles:

Spot 6°	72,500cd	Flood 60°	7,500cd
Field: 14°			70°



### PHYSICAL DATA



Weight: 2.8 Kg  
 Packed Weight: 3.2Kg  
 Carton Size: 420 x 225 x 175  
 Carton Size Cubic: 0.016

Colour Frame Size: 125mm x 125mm

Included: 1 x colour frame, 1 x M10 nut & bolt set, instruction sheet.

### ORDER CODES & ACCESSORIES

Acclaim Fresnel	12ACFMS
Barndoor	20BDMF
Lens Safety Mesh	15ACSM
Suspension Hookclamp	20HC
Safety Bond	20SC

Your Selecon Distributor

---

---