



ZOOMSPOT

The Acclaim Zoomspot 500/650w variable beam profiles provide precise beam control and pattern projection capability. The ellipsoidal optical system provides a high output beam with a centre peak. This can be made more even (2:1) by adjusting the position of the lamp in the reflector. A fully featured luminaire constructed of pressure die-castings and aluminium extrusion. The Acclaim Zoomspot offers efficiency, strength and performance with a choice of two beam angle ranges.

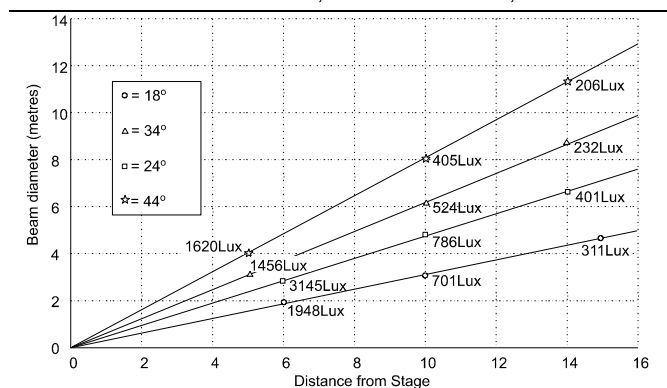
FEATURES

- Over 50% more light than most other base down 'T' class 650w luminaires.
- Available in 18° - 34° or 24° - 44° beam angles.
- Interchangeable lens tray between Medium and Wide versions.
- Uniquely shaped shutters offer wider degree of masking angles.
- Adjustable beam Peak-Flat setting.
- Slot provided for Iris or rotatable (35°) Gobo holder.
- Cranked yoke with adjustable balance point.
- 'Swing-down' doors for easy access to lamp or lens cleaning. Isolates the mains supply when opened.
- Captive lamp/ reflector focus system.
- Fully tested and compliant to CE standards.

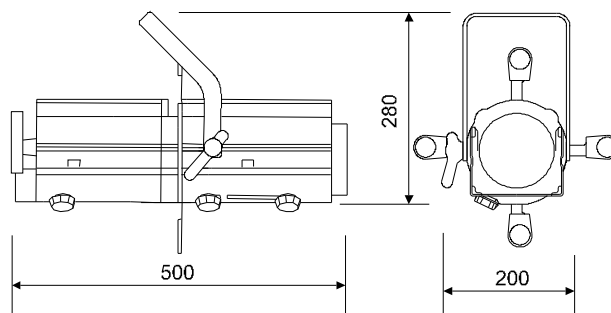
PHOTOMETRIC DATA

Tests conducted using a standard T27, 650w, 240v, 15,000 lumens lamp - average lamp life: 600 hours.

Beam angles:	18° - 34°	24° - 44°
Narrow Peak	70,100cd	78,600cd
Narrow Flat	58,064cd	40,500cd
Wide Peak	52,400cd	40,500cd
Wide Flat	38,000cd	34,000cd



PHYSICAL DATA



Weight: 5.1 Kg
 Packed Weight: 5.7Kg
 Carton Size: 610 x 225 x 180
 Carton Size Cubic: 0.025
 Colour Frame Size: 125mm x 125mm
 Pattern (Gobo) size: M
 Included: 4 x shutters, 1 x colour frame, 1 x M10 nut & bolt set, instruction sheet.

ORDER CODES & ACCESSORIES

Acclaim Zoomspot 18° - 34°	12ACZSMS
Acclaim Zoomspot 24° - 44°	12ACZSWMS
Acclaim Iris	15ACIRIS
Acclaim Rotatable Gobo Holder	15ACGH
Acclaim 18° - 32° Lens Tray	15ACLT
Acclaim 24° - 44° Lens Tray	15ACLTW
Lens Safety Mesh	15ACSM
Suspension Hookclamp	20HC
Safety Bond	20SC

Your Selecon Distributor