



WALL-WASHER TUNGSTEN HALOGEN

The Astral Wall Washer for 200 - 500 watt tungsten halogen lamps. With a powerful even beam the Astral Wall washer with an asymmetric reflector evenly lights a wall up to 4.5m high. The colour filter holder introduces an almost unlimited range of colours, extending the creative options. The Astral Wall Washer offers efficiency, strength and performance.

FEATURES

- Smooth and well controlled light output using standard 118mm linear tungsten halogen lamps 200, 300, 500w.
- All aluminium extrusion and plastic injection moulding construction
- Easy and safe access (auto power disconnect) for relamping and maintenance with hinged safety glass.
- Universal three circuit track mount adapter or ceiling rose.
- Fully tested and compliant to CE standards

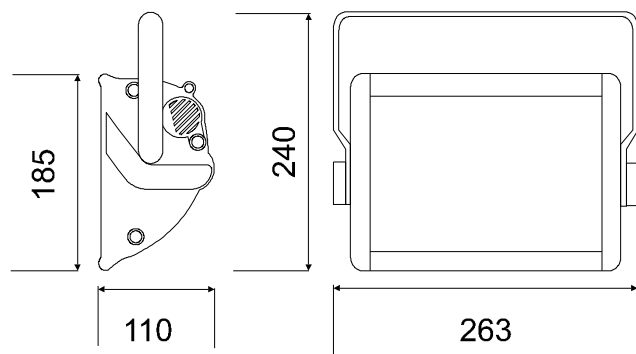
PHOTOMETRIC DATA

Tungsten Halogen tests conducted using a standard R7 118mm double-ended Linear lamp, 300w, 240v

Tungsten Halogen 300 watt			
	S=1.5m D=1.0m	S=2.0m D=1.75m	Single D=1.75m
Height	Lux	Lux	Lux
4.0	1250	490	390
3.5	1440	580	430
3.0	1040	570	400
2.5	780	490	310
2.0	530	410	220
1.5	380	350	165
1.0	290	290	132
0.5	220	255	100
0	155	190	78



PHYSICAL DATA



Weight: 2.3 Kg

Included: 1 x safety glass, instruction sheet

ORDER CODES & ACCESSORIES

Astral Wall-washer 500w T.H. Black	SA-AWWB
Astral Wall-washer 300w T.H. White	SA-AWWW
Astral Wall-washer 300w T.H. Grey	SA-AWWG
3 circuit track mount adapter - black	SAA-TRAB
3 circuit track mount adapter - white	SAA-TRAW
Ceiling mount rose - white	SA - RW
- black	SA - RB

NOTE: If you are planning to use your Astral wall-washer with a colour cassette, please specify so at time of order, as they are NOT retro-fittable.

Your Selecon Distributor