



CYC

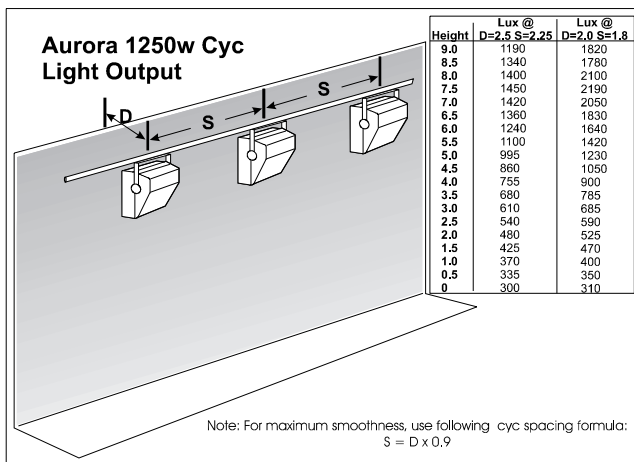
The Aurora Cyc, a range of asymmetric floods 1.0 / 1.25kw to light the cyc or back-cloth with a visually even wash of light from a top mounting position. Designed to light cloths up to 10m high from a throw distance of 2 - 3m.

FEATURES

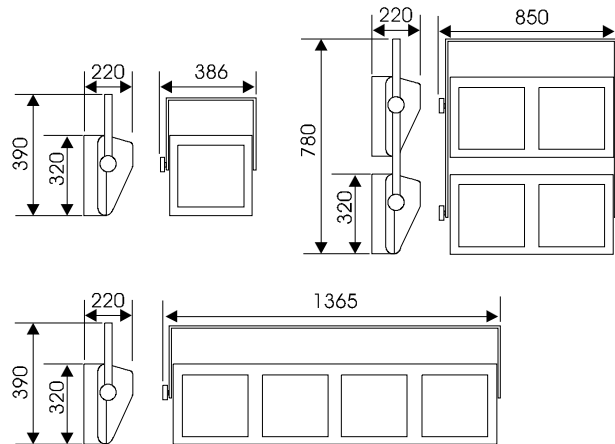
- Light beam is very smooth and falls off evenly without visible high lights or shadows
- Repeatability of beam characteristics is guaranteed by the extruded aluminium reflector
- Robust construction from a combination of aluminium extrusions and formed steel panels
- Filter life is maximised by the dual air-flow chamber construction
- Filter frame size ensures an economic two frame cut out of a standard filter sheet.
- The filter frame is flat ensuring it can be mounted into the luminaire with ease
- Relamp without removing the colour filter holder via the hinged front filter holder assembly
- Available configurations: single, 4 way linear & 4 way "square", dual vertical with or without pole operated tilt. Choice of multi connector options.
- Compliant to CE standards

PHOTOMETRIC DATA

Tests conducted using a standard 1250w, 240v, 189mm P2/12 lamp.



PHYSICAL DATA



Single 4way Linear 4 way Square
 Packed Weight: 9.1kg 30kg 33kg
 Colour Frame Size: 305mm x 315mm
 Included: 1 x colour frame for single, 4 x colour frame for Four way, 1 x M12 nut & bolt set, Instruction sheet

ORDER CODES & ACCESSORIES

Aurora Cyc	10AUCYC1
Aurora Cyc pole op	10AUCYC1PO
Aurora dual, vertical, pole op.	10AUCYC2VPO
Aurora Cyc 4 Square	10AUCYC4S
Aurora Cyc 4 Square pole op	10AUCYC4SPO
Aurora Cyc 4 Linear (Tails out)	10AUCYC4L
Aurora Cyc 4 Linear (Wieland)	10AUCYC4LW
Aurora Cyc 4 Linear (Socapex)	10AUCYC4LS
Aurora Barndoor	20BDAU
Suspension Hookclamp	20HC
Safety Bond	20SC

Your Selecon Distributor