



FLOOD

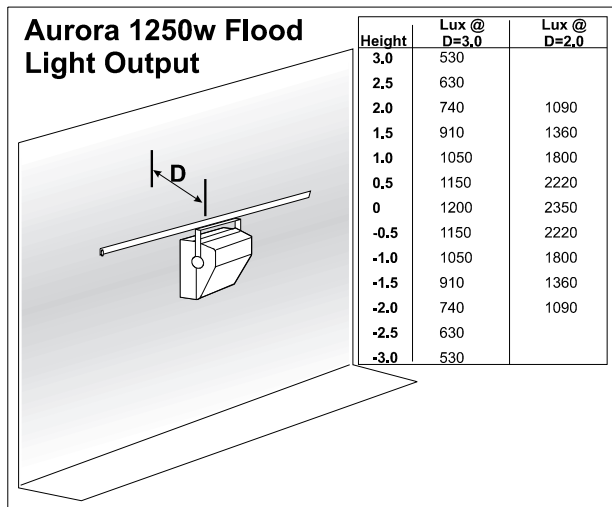
The Aurora Flood is a 1.0/1.25kw symmetric flood luminaire for larger theatres and studios and general purpose display lighting.

FEATURES

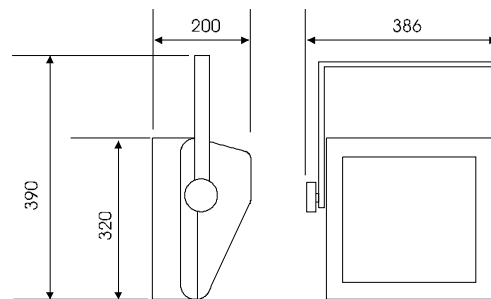
- 90 degree light beam is smooth and falls off evenly without visible high lights or shadows
- Repeatability of beam characteristics is guaranteed by the extruded aluminium reflector
- Robust construction from a combination of aluminium extrusions and formed steel panels
- Filter life is maximised by the dual air-flow chamber construction
- Filter frame size ensures an economic two frame cut out of a standard filter sheet.
- The filter frame is flat ensuring it can be mounted into the luminaire with ease
- Relamp without removing the colour filter holder via the hinged front filter holder assembly
- Barndoor accessory available for beam masking
- Available configurations: Single, with or without Pole Operated Tilt. Multi batten options as per cyc.
- Compliant to CE standards

PHOTOMETRIC DATA

Tests conducted using a standard 1250w, 240v, 189mm P2/12 lamp.



PHYSICAL DATA



Weight: 10.23kg
 Packed weight: 11.4kg
 Cubic: 0.073

Colour Frame Size: 305mm x 315mm

Included: 1 x colour frame for single, 1 x M12 nut & bolt set, instruction sheet.

ORDER CODES & ACCESSORIES

Aurora Flood	10AUFLD
Aurora Flood Pole Operated	10AUFLDPO
Aurora barndoor	20AUBD
Suspension Hookclamp	20HC
Safety Bond	20SC

Your Selecon Distributor
