

CHORUS

1200 QUARTZ FOLLOW-SPOT

The Chorus 1200 Condensor; A follow-spot for the smaller theatre, school, stage and entertainment venue. Engineered from the Selecon Condensor 1200 Narrow, the Chorus offers all the essential operational features required of a follow-spot.

FEATURES

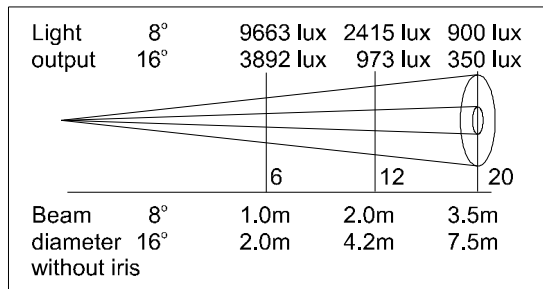
- An adjustable diaphragm which controls the size of the follow-spot beam
- Condensor lens optical system which is adjusted to set the beam angle and focus. Provides 1000 lux at 16m, spot focus.
- A braced yoke and platten spigot which ensures the follow-spot is rigid for smooth operation
- Adjustable front and rear guide handles
- Adjustable yoke so the follow-spot can be balanced to suit the operator's requirements
- A four colour manual changer which mounts on the front of the follow-spot is available as an accessory
- Follow-spot dimmer module available as an accessory
- Foldable stand with adjustable height available as an accessory

Compliant to CE standards

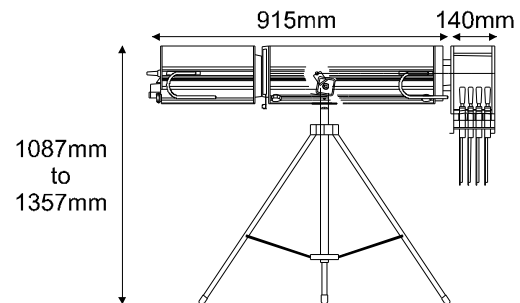
PHOTOMETRIC DATA

Tests conducted using a standard T29, 1200w, 240v, 27,600 lumens lamp.

Beam:	9° - 21°
Narrow	347,900cd
Wide	140,140cd



PHYSICAL DATA



Luminaire Weight:	13.0kg
Stand Weight:	9.5kg
Colour Changer Weight:	1.8kg

Colour Frame Size: 185mm x 185mm (DIN Std)

Included: Adjustable iris, front and rear guide handles, braced yoke with spigot, 1.5m Mains cable

ORDER CODES & ACCESSORIES

Chorus Followspot	10CHORUS12
Chorus Followspot Stand	STDFS
Follow-spot dimmer	30PFSD
Chorus Colour Changer	10CHCH

Your Selecon Distributor
