



FRODO FRESNEL

The Accent Frodo Fresnel is a 12v variable beam (16 - 42) Fresnel luminaire. Smoothing the hotspots typically found in MR16 lamps, the Accent Fresnel gives a controllable soft edged beam of light.

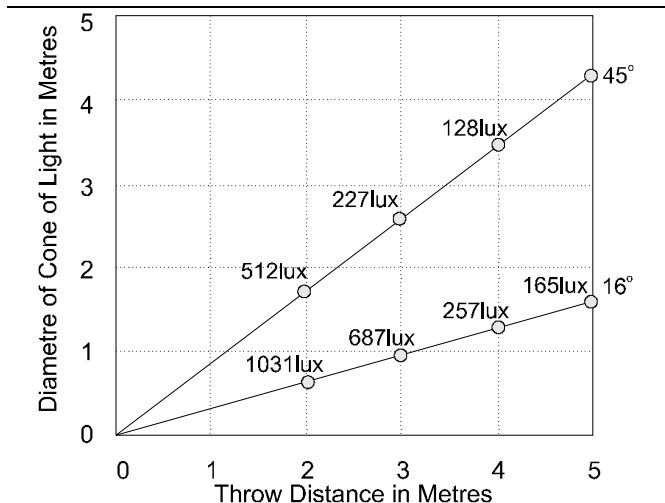


FEATURES

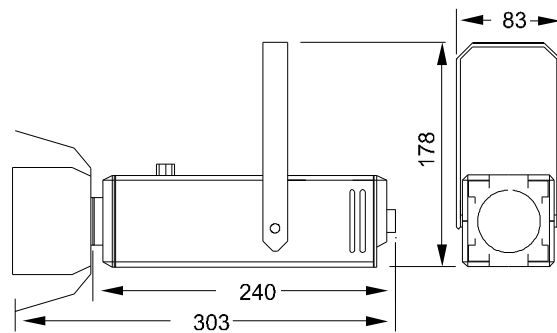
- Variable beam angle from 16° to 45°
- Shape the beam using the rotatable barn-door accessory.
- Use colour from a wide choice of dichroic glass or theatre colour filters.
- Uses standard 50w or 75w 12v low voltage halogen lamp
- Available in Black, White or Silver-Grey. Custom colours. Available with or without integral transformer.
- Three circuit track mount adapters or ceiling rose. Recess mount using Solon fitting.
- Compliant to CE standards.

PHOTOMETRIC DATA

Tests conducted using a standard 75w EYC 42° lamp



PHYSICAL DATA



Weight: 1.8 Kg (with transformer)

Included: Instruction sheet

ORDER CODES & ACCESSORIES

Accent Fresnel with transformer Black	SA-FRTB
Accent Fresnel without transformer Black	SA-FRB
Accent Fresnel with transformer White	SA-FRTW
Accent Fresnel without transformer White	SA-FRW
Accent Fresnel with transformer Grey	SA-FRTG
Accent Fresnel without transformer Grey	SA-FRG
Accent Barndoor Black	SAA-BBS
Accent Barndoor White	SAA-BBW
Accent Colour Frame Black	SAA-CFB
Accent Colour Frame White	SAA-CFW
3 circuit track mount adapter - black	SAA-TRAB
3 circuit track mount adapter - white	SAA-TRAW
Ceiling mount rose - white	SA - RW
- black	SA - RB

Your Selecon Distributor

Selecon reserves the right to change the specifications without notice (04/97)