

Harmony 12

1000W Halogen Narrow Angle Profile Spot

The compact 11½° narrow angle 1000W Profile Spot for throw distances over 12 metres up to around 18 metres. The relatively short overall length for a narrow spread makes this luminaire highly practical for auditorium lighting bridges, especially those with restricted rear access, and for other similar applications where physical size, and acceptable appearance, are important. Four beam shaping shutters and gate runners are fitted. Focusing is by a unique rotary control near the gate plane, a position especially useful when used from a lighting bridge.

This luminaire, together with others in the Harmony series, has a fully integrated housing of finned, extruded sides and interlocking pressure die-castings including internal colour runners. Access to all lens surfaces is possible through sliding, but captive, panels. Rear grab handle is fitted as standard. The alloy fork is adjustable in height and also adjustable throughout the whole length.

The Harmony series embody new safety features, but in such a way that these do not inhibit practicability. These include a power connector which automatically separates when the rear-hinged, full width internal access is opened, a safety bond anchorage on the housing, sprung safety clips over both the colour frame and the gate runners, and an integral 25mm mesh lens guard.

Order Codes

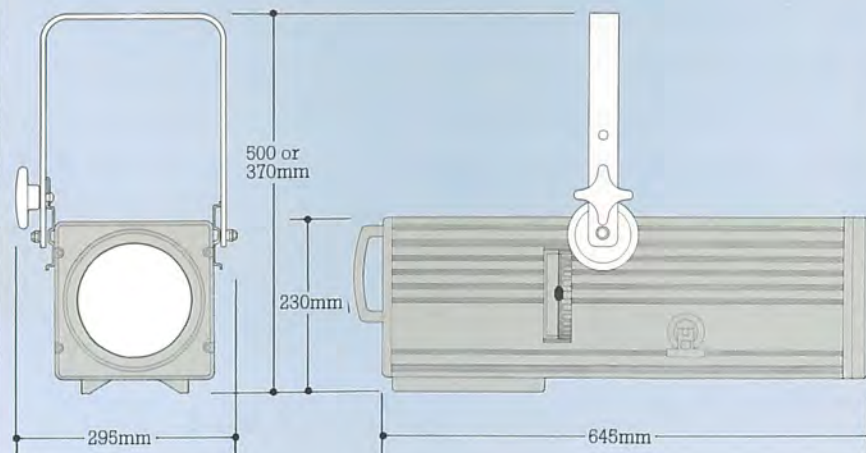
Harmony 12 Narrow Angle Profile Spot including RSE/19 1000W 240v lamp, or RSE/70 1000W 220v lamp and 1.5m power cable (state 240 or 220v, and 15A, Schuko, or wire-ended cable)

Additional RSE/19 1000W 240v lamp	34 219 0T
Additional RSE/19 1000W 220v lamp	34 219 18
Additional RSE/70 1000W 240v lamp	34 222 09
Additional RSE/70 1000W 220v lamp	34 222 17
Additional Class T/11 1000W 240v lamp	34 206 14
Additional 1.5m power cable, 15A 3-pin	35 002 01
Additional 1.5m power cable, Schuko	35 001 06
Additional 1.5m power cable, wire-ended	35 000 00



Rank Strand

22 415 0T



Dimensions

Scale 1:10

Weight

11.5 kg
Carton Size 81 × 38 × 43cm, 0.13m³
Packed weight 12.9 kg including lamp and power cable

Environment

IP.21 classification

Tilt

45° above horizontal to 90° below (vertical)

22 415 OT

Performance

Typical performance, based upon 1000W 240v RSE/19 calibrated lamp, C13D biplane filament, 750 hour, 3000°K, 21,000 lm and 1000W 220v RSE/70 calibrated lamp, C13D biplane filament, 200 hour, 3200°K, 25,000 lm.

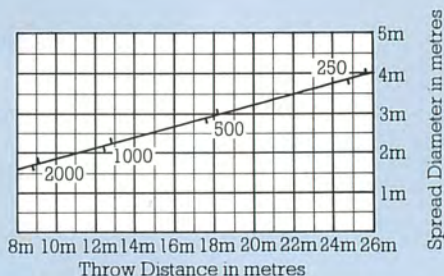
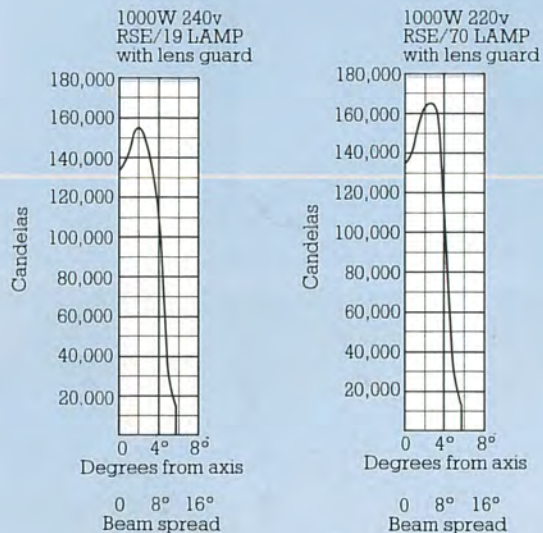
Maximum circle, hard-edge focus

With integral 25mm mesh lens guard

Cut-off angle 11.5°, ½ peak angle 8.5°

With RSE/19 lamp 154,500 peak, 132,000 axial candelas

With RSE/70 lamp 166,000 peak, 133,000 axial candelas



The figures on the diagonal lines indicate the illumination value in lux at beam centre.

The Company reserves the right to make any variation in design or construction to the equipment described.



Rank Strand Harmony 12

Specification

Housing

Extruded finned aluminium sides, and lampray hinge with interlocking pressure die-cast ends and internal colour runners, joined by machine thread screws, combining strength and rigidity with minimum weight but maximum heat dissipation. Lamphouse also with fully baffled multiple slots for additional convection ventilation. Anchorage provided for safety bond. Heat-insulated grab handle fitted to rear.

Fork

Aluminium alloy, reversible with 90mm dia. friction discs and heat-insulated handwheel for tilt lock, changeable to opposite side. Alternative shorter tilt pivot axis provided and tilt pivot axis adjustable laterally along top, or bottom, of the extruded sides. Fork provided with DIN Platte fixing holes; centre threaded and supplied with M.10 bolt, washer and wingnut for compact suspension and swivel lock. Fitted with clip for power cable retention.

Lampholder

GX9.5 2-pin porcelain body with integral heat-sink fitted to extruded lampholder slide and wired direct to CEE.22 high temperature power connector.

Power Cable

1.5m long, 3 x 1.5mm² conductor toughened silicon rubber cable moulded to mating CEE.22 angled power socket. Other end of cable moulded to 15A 3-pin or Schuko plugtop, or open wire-ends (specify).

Internal Access

Rear-hinged lampray secured by single thumb fastener but, for maximum safety, power socket automatically disconnected before opening.

Reflector

150mm dia. near-ellipsoidal reflector of anodised aluminium.

Gate Assembly

Four steel alloy beam-shaping shutters with non-reflective finish and heat-insulated, serrated-edge knobs. Shutter blades and gate runners, with lead-in extended to top access, assembled in multi-finned pressure die-castings for heat dissipation. Gate runners provided with sprung safety catch for drop-in iris diaphragm or pattern (gobo) holder accessories.

Lenses

150mm dia. plano-convex lens of borosilicate glass. The lens carrier supports the full circumference of the lens and slides smoothly along a bearing rod and an extruded internal guide. The lens moved by internal rack and pinion gearing with an external rotary control with a hinged toggle incorporating a positive cam-lock and a scale. Easy access to both lens surfaces through sliding, but captive top panel.

Distribution Adjustment

Movement of lampholder relative to reflector for 'peaky' to 'flat' field by heat-insulated fingertip knob fully recessed in lampray assembly.

Colour Runners

Pressure die-cast double runners, with spring safety clip, incorporated within front castings together with integral 25mm mesh lens guard. One 185mm square DIN-size colour frame with circular aperture supplied for thin-film 'Chromoid' colour filters or for non-saturated colours of 'Cinemoid' sheet. Front casting also has thread-inserts for add-on colour change accessories.

Finish

High temperature stoved black.

Lamps

1000W max. GX9.5 base, 55mm l.c.l. with 40mm max. dia. quartz envelope. Supplied with 240v RSE/19 or 220v RSE/70 lamp. For special applications different, but interchangeable lamps can be purchased.

Accessories

12-leaf Iris Diaphragm	23 775 21
Additional 185mm ² Colour Frame	27 262 04
Colour Change Wheel, 24v	23 868 09
Semaphore Colour Change, 24v	23 781 00

Rank Strand
P.O. Box 51, Great West Road
Brentford, Middlesex TW8 9HR,
United Kingdom
Telephone 01-568 9222. Telex 27976