

## COLOR CHANGING COMES FULL CIRCLE

In 1980, Wybron changed entertainment lighting forever with the introduction of the scrolling color changer. Here we go again.



Introducing CXI Color Fusion from Wybron - the new state-of-the-art in color changing. A color mixing system, CXI offers a more expansive palette than that of any other color changer. And it gives lighting designers an ability they've never had before - adjusting colors on the fly. When the blue you ordered doesn't quite work with a costume or set piece, CXI lets you fine-tune it in real time.

CXI uses just two color scrolls (made up of graduated frames of cyan, yellow and magenta) to create virtually every color of the spectrum. Using Wybron's CXI Color Menu and single

channel control, you can easily match the most commonly-used gel colors from Rosco, Lee and GAM. More than 100 are built right into the system in pre-set DMX levels.

But those are only the beginning of CXI's full color spectrum; with two-channel control you can create your own colors, or use Wybron's CXI Color Calculator - available on disk or at [www.wybron.com](http://www.wybron.com)

- to find the exact hue you're looking for. Just click on the the color you want, and the Color Calculator will give you the corresponding DMX levels.

Full frame combinations offer nearly 250 additional colors, and partial frame mixing makes the color range virtually infinite.

There's also room for two frames of exact color that you specify. If there are cer-

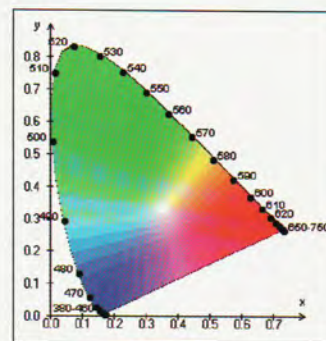
tain colors you want to hit without mixing, we can build those right into the gelstring.

*"CXI lets you fine-tune color in real time."*

CXI Color Fusion is the new standard in subtractive color mixing, offering deeper blues and greens with comparable reds. And because CXI uses graduated color frames, it doesn't suffer from the diffraction created when light passes through perforated gel.

CXI comes with all the features and reliability you've come to expect from Wybron. With 4", 7" and 10" models and numerous mounting plates to choose from, CXI fits all of the most common lighting fixtures. It runs from the Coloram II power supply so you can put existing inventories to work without further expense. And CXI uses the Intelligent Diagnostics System (IDS) talkback protocol, providing

feedback on each individual color changer's health and status. IDS information is available either at the power supply or right at your laptop using Wybron's Watchdog Diagnostic System.



*Just click on the color you want and the CXI Color Calculator gives you the corresponding DMX levels.*

CXI from Wybron. Still the standard in color changers.

# GENERAL SPECIFICATIONS - CXI COLOR FUSION

## FEATURES-CXI HEADS

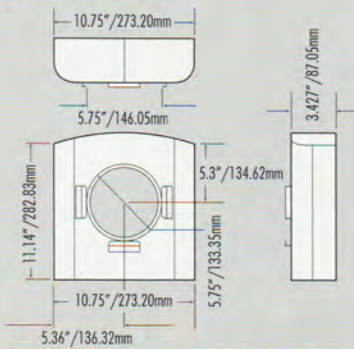
<b>Motor</b>	Quick, quiet, no gear box	<b>4 Character Display / Push Button</b>	Provides indication of operating modes from a distance Display auto-dims after 1 minute
<b>Gelstring Format</b>	2 Gelstrings - each with 23 colors - one color in each gelstring is a customer specified color	<b>Top Hat Mount</b>	Built in for use of top hats and accessories for the 4-in., 7.5-in., and 10-in.
<b>Gel movement</b>	Continuous, no indexing	<b>Mounting Plates</b>	Various to fit a wide variety of fixtures
<b>Fan Speed</b>	Two speeds plus off; controllable from lighting console	<b>Safety Cable</b>	3.5-ft./1.06m long cable included
<b>Gel Speed</b>	Controlled from the lighting console via a time-to-destination DMX channel	<b>Low Voltage Indicators</b>	Two stage-warns of cables too long or bad connections Stage 1-warning on display Stage 2-shut down to prevent running off rollers
<b>Head Unit Intelligent Diagnostics</b>	On/off line, gel position, DC voltage at the head, shutdown and motor errors. (note: this info available at power supply)	<b>Daisy Chaining</b>	Individual DMX channel assignments on one home run

## TECHNICAL DATA-CXI HEADS

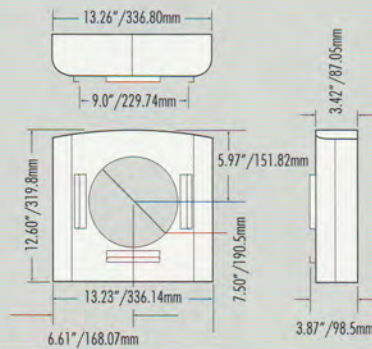
<b>Current Requirements @ 24 VDC</b>	<b>Input Control Signal</b>	<b>Fuse Value</b>
4-in., 7.5-in. & 10-in. Model	From Coloram power supply	3.0 amps slo blo
0.6 A average		

## DIMENSIONS-CXI HEADS

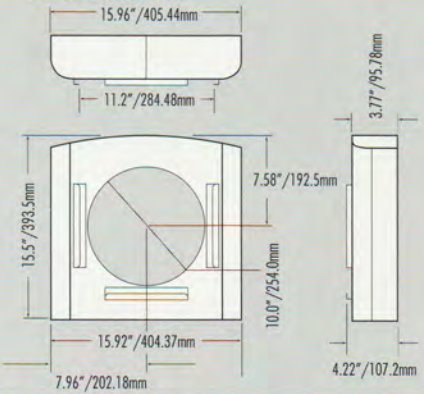
### 4-INCH MODEL



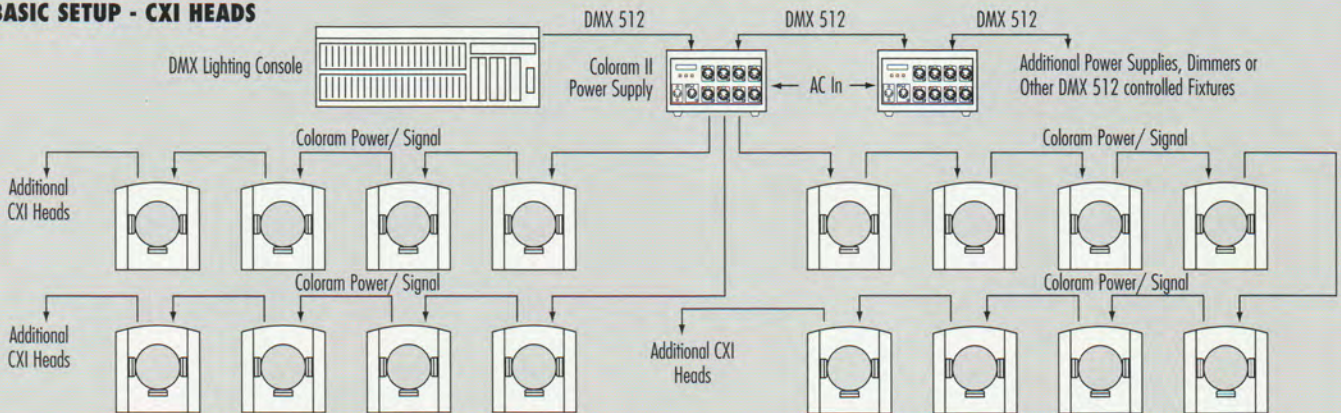
### 7.5-INCH MODEL



### 10-INCH MODEL



## BASIC SETUP - CXI HEADS



**NOTE:** Please refer to CXI Manual when determining the number of heads per Power Supply.