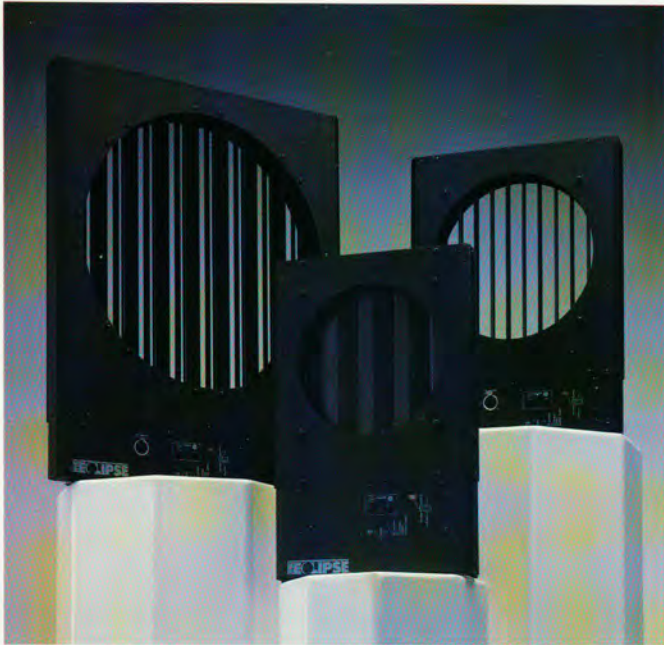


**IT'S "LIGHTS OUT" FOR NON-DIMMABLE LAMPS**

Whether it's color and gobo changers, or the Autopilot 3D tracking system for moving lights, Wybron has built its business on a long list of products that help customers get more from their entertainment lighting fixtures. Add The Eclipse to that list. A DMX -

and their long life makes them extremely cost efficient.

The only drawback is that they cannot be dimmed, precluding their use for slow fades and quick power ups. The



Eclipse remedies that shortcoming by mechanically dowsing the light, while leaving the power on - no need for quick strikes. The dowsers, which mount on the front of a lamp much like a color scroller, use a series of metal

controlled dawner, The Eclipse does mechanically what cannot be done electronically: dimming HMI and other "non-dimmable" lamps.

HMIs and other discharge fixtures are the lamp of choice for many entertainment applications. They provide a brighter, whiter light than incandescents - great for recreating daylight on film, or for lighting large venues like stadiums and arenas -

shutters to partially or completely block the light source.

The Eclipse greatly increases the utility of discharge lamps. It provides intermittent light levels without the use of scrims;

dowses arena house lights for player introductions, then quickly brings them back up; allows film and



television directors to "shut off" lights between shots; slowly fades theatrical stages from day to night.

*"The Eclipse does mechanically what cannot be done electronically."*

Eclipse dowsers come in three sizes to fit the most common discharge fixtures: 1K, 2K and 5K. Users also get three options for controlling Eclipse: via DMX from a lighting console, "remotely" with a small, hand-held switch, or locally using buttons right on the dawner.

Wybron's Coloram Power Supplies give The Eclipse its power, and tie it into the ever-growing Coloram System of Integrated Lighting Accessories. Feedback on dawner status and health are available on an LED display right on the 6-, 12- and 24-way power supplies, or on a PC through Wybron's Watchdog Monitoring System.

The Eclipse. Yet another fixture-enhancing accessory from Wybron.



## GENERAL SPECIFICATIONS - ECLIPSE DOWSERS

### FEATURES - ECLIPSE HEADS

**Motor** Quick, smooth drive - 60:1 gear ratio  
Digital design for precise control

**Shutters** .062" sheet metal with heat-resistant, non-reflective paint  
Alternating shutter movement for smooth uniform light reduction  
1K model - 10 shutters  
2K model - 12 shutters  
5K model - 18 shutters

**Shutters Speed** Cross-fade Up to 60 seconds  
Fast cut: 200 milliseconds (five times a second)  
Strobe rate: 10CPS - 100ms (at 60% amplitude)

**Operating Modes** Remote, DMX control from lighting console  
Hand-held controller attached to dowsler with variable length cable  
Local control with open/close buttons on dowsler

**LED Status Indicators** Indicates power and operating mode

### Head Unit Diagnostics

Employs Intelligent Diagnostics System (IDS) to provide online/offline indication, shutter position, DC voltage at head, shutdown  
**(NOTE: feedback available at power supply, or through PC using Watchdog Diagnostic System)**

### Fan

Low-speed for quiet operation

### Safety Cable

3.5 ft./1.06m cable included

### Daisy Chaining

Individual ID's on one home run

### Accessories

Accessory "ears" for color changers, diffusion panels, etc. are standard.

### Mounting Plates

Various plates available to fit wide variety of fixtures

### TECHNICAL DATA - ECLIPSE HEADS

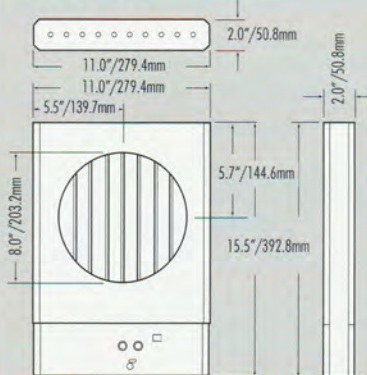
**Current Requirements** (@ 24 VDC) .28A average

**Input Control** From Coloram power supply

**Fuse Value** 1.5 amps slo blo

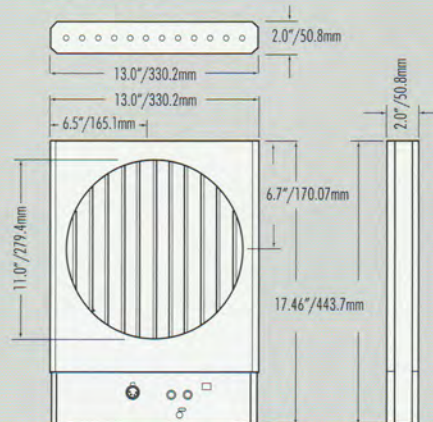
### DIMENSIONS - ECLIPSE HEADS

#### 1K MODEL



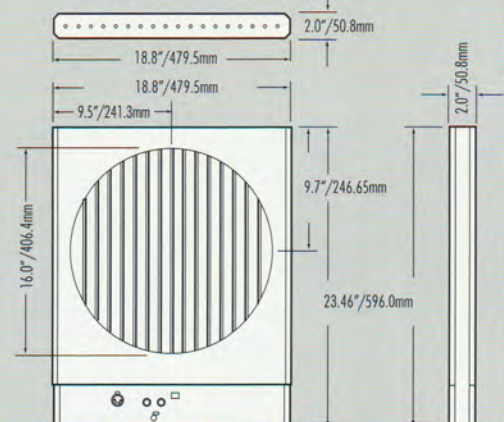
**Weight** 5.98 lbs./2.72 kg without mounting plate

#### 2K MODEL



**Weight** 6.74 lbs./3.06 kg without mounting plate

#### 5K MODEL



**Weight** 10.58 lbs./4.72 kg without mounting plate