

THE GOBORAM *Rotating Gobo Changer*

ROTATING GOBO CHANGER PUTS LIGHTS TO GREATER USE

Introducing THE GOBORAM™- driven by designers, developed by Wybron.

A combined gobo changer, indexer and rotator in one, THE GOBORAM allows you to get more from your stationary lights. Change scenes. Add motion. Create whole new effects.

THE GOBORAM is designed specifically to work with Source 4 and Shakespeare 600 ellipsoidals. It gives designers the ability to spin and change up to three gobos,

Until now, effects like these would have called for double or triple the existing stationary light capacity. THE GOBORAM opens up a whole new realm of possibilities for every single Source 4 or Shakespeare in a show inventory.

THE GOBORAM is part of the growing COLORAM SYSTEM of integrated lighting accessories, which includes COLORAM II Color Changers, ECLIPSE Dowsers and THE WATCHDOG Monitoring System.

Integrating THE GOBORAM into your system is easy

and inexpensive - the gobo changers operate right from your existing COLORAM Power Supplies.

It's another custom-designed solution from Wybron, the company that developed the world's first scrolling color changer and first automated 3-D tracking system.

all in a single unit - all automatically. Changes and spins are programmed as show cues just like color changes.

Imagine the possibilities: Send a moon from waxing to waning without changing lights. Take a tree from spring, to autumn, to winter. Move fluidly from an industrial set with spinning gears to a living room with flames shimmering in the fireplace.

“Driven
by designers,
developed by
Wybron.”



ADVANCING THE ART OF LIGHTING

GENERAL SPECIFICATIONS - THE GOBORAM

FEATURES-GOBORAM HEADS

Motor	Quick, quiet direct drive, no gear box	LED Status Panel	Provides indication of operating modes from a distance
Gobo movement/ operating modes	Rotate, index, gobo select	Mounting Plates	To fit Source Four and Shakespeare 600 series
Fan	Normal speed for cool operation	Safety Cable	3.5-ft./1.06m long cable included
Speed	rotates gobos at up to 1 revolution per second	Daisy Chaining	Individual ID's on one home run
Head Unit Intelligent Diagnostics	On/off line, gobo position, DC voltage at the head, shutdown and more (note: this info available at power supply)		

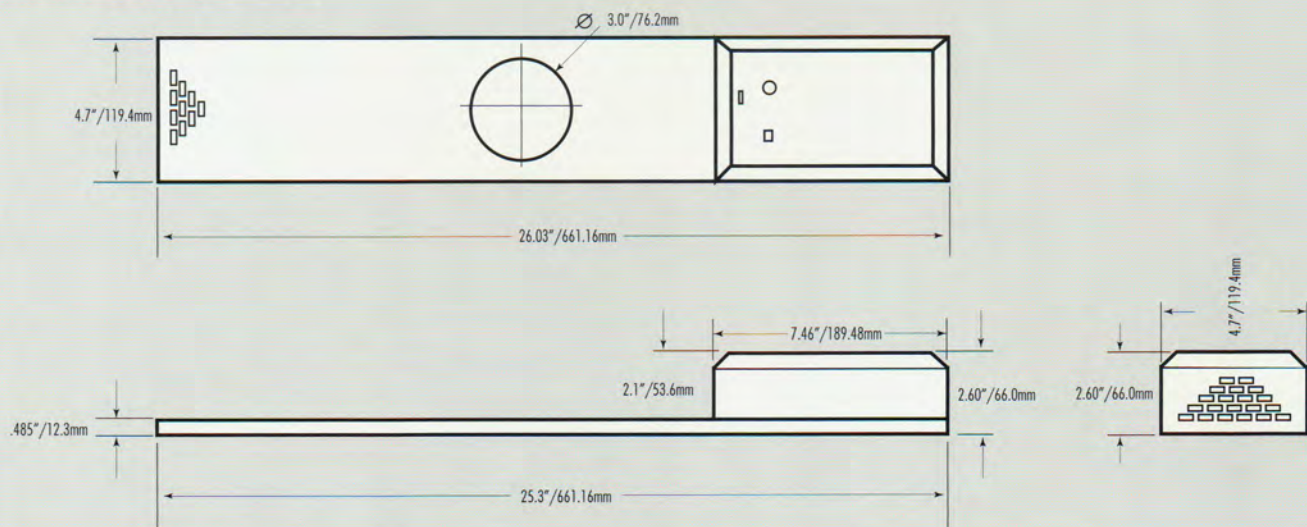
FEATURES-POWER SUPPLY

Line Voltage	Automatically accepts all standard voltages worldwide	Power Supply Display	Used to configure the system as well as display head/system status and operating conditions	Digital Input Connector	XLR 5-pin male
Goboram Capacity	16 heads or 12 Goboram heads & 12 Coloram II heads	Signal Input	DMX 512	Output Connectors	8 @ XLR 4-pin female

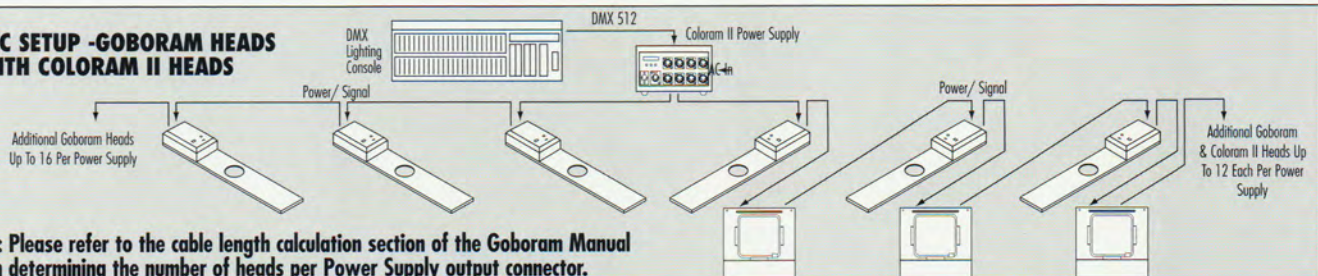
TECHNICAL DATA-GOBORAM HEADS

Current Requirements (@ 24 VDC)	Input Control Signal	From Coloram power supply	Fuse Value	2 amps slo blo
--	-----------------------------	---------------------------	-------------------	----------------

DIMENSIONS-GOBORAM HEADS



BASIC SETUP -GOBORAM HEADS & WITH COLORAM II HEADS



Note: Please refer to the cable length calculation section of the Goboram Manual when determining the number of heads per Power Supply output connector.